

Arm and Back Height Adjustment -

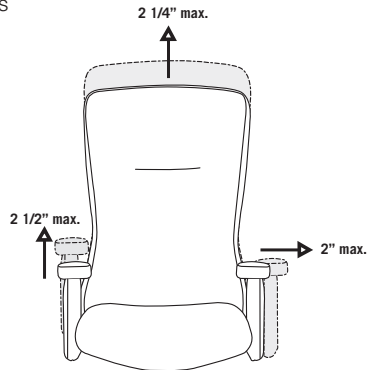
available option on all ORA chairs

To adjust arm or back height

- Pull upward until mechanism is extended to its maximum height. This engages the internal ratchet.
- Push downward to lower mechanism to its minimum height
- Slowly pull upward to adjust to the desired height

- Loosen knob located at base of arm
- Pull arm outwards to desired width
- Tighten knob to keep arm in place

Note: Each time an adjustment is made, the mechanism *MUST* be pulled upward to the maximum height, then pushed downward to the minimum height starting point.



ORA
Collection

USER'S MANUAL

HARDENcontract

HARDENcontract

HARDEN FURNITURE, INC.

8550 Mill Pond Way, McConnellsville, New York 13401

315 / 675-3600 Fax 315 / 245-2884 contract@harden.com

www.hardencontract.com

MADE IN USA



Harden has designed this chair with some revolutionary design features that require some quick adjustments for maximum effect.

Please take a moment to review this card and then store in your desk or near the chair for quick future reference.

Swivel Tilt Mechanism - for chair models:

C1800-100 / C1801-100 / C1900-100 / C1901-100

Paddle-shaped lever on right side while seated

TO RAISE HEIGHT

- Lift weight off seat
- Pull right hand lever upward

TO LOWER HEIGHT

- Remain seated
- Pull right hand lever upward; body weight will lower

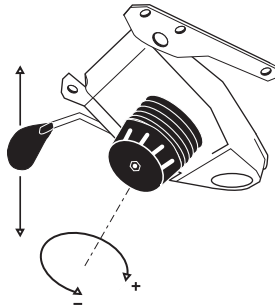
Round dial in center of mechanism

TO INCREASE TENSION

- Turn clockwise
- Lean back into chair to check for correct tension according to your personal body weight

TO DECREASE TENSION

- Turn counter-clockwise
- Lean back into chair to check for correct tension according to your personal body weight

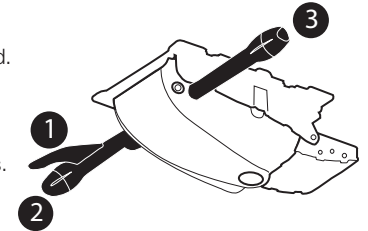


Synchro Tilt Mechanism - for chair models:

C1809-100 / C1810-100 / C1909-100 / C1910-100

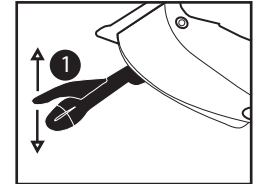
TECHNICAL DATA:

- Back travel recline: 21° rearward.
- At-rest angle: 0°
- Seat travel range: 9°
- Synchro ratio: 2.3° to 1°
- Tilt lock: 5 incremental positions.
- User tension: Side-activated, telescoping, rotary adjustment.



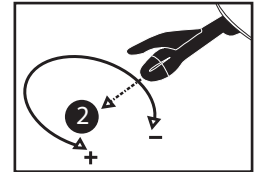
Seat Height Adjustment

- Access paddle style handle (right side of chair)
- To **RAISE HEIGHT** - Lift body weight off seat and pull up on handle
- To **LOWER HEIGHT** - Pull up on paddle handle while seated.



Tilt Tension Adjustment

- Pull out telescoping knob style handle (right side of chair)
- To **INCREASE TENSION** - Rotate knob forward
- To **DECREASE TENSION** - Rotate knob rearward



Tilt Lock Operation

- Access handle (left side of chair)
- To **ENGAGE LOCK** - Rotate handle rearward
- To **DISENGAGE LOCK** - Rotate handle forward, then lean back into chair to release the tilt lock feature

